



Valnes Keypad/pin-code cabinet lock



Specification:

Lock body
Material: ABS
Size: 80*80*27mm



<p>Front panel Material: PC+Acrylic Size: 65*65*13mm</p>	
<p>Lock hook: 3 types</p>	
<p>Card/keyfob type: Mifare 1K</p>	
<p>Power consumption: Static power consumption <100uA, dynamic power consumption <200mA</p>	
<p>Working voltage: DC6V(4*AAA 1.5V), Batteries can standby for around 1 year</p>	
<p>Working environment: Working temperature -15°C ~ +65°C. Working humidity 10% ~ 90%RH</p>	
<p>Working modes: Public + master and Private + master</p>	

Dimensions:

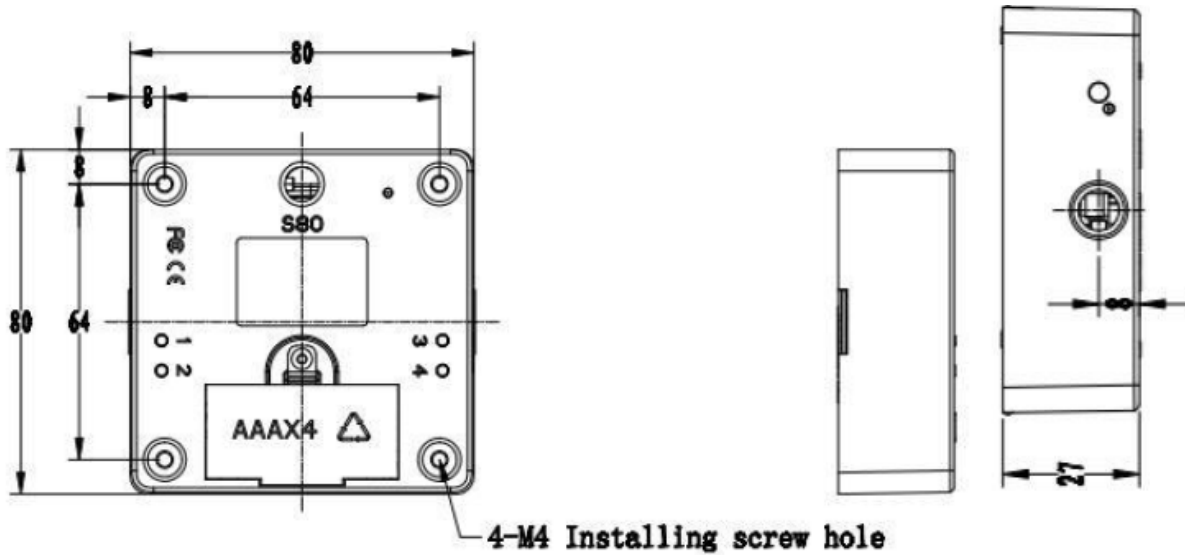


Figure 1. Lock body

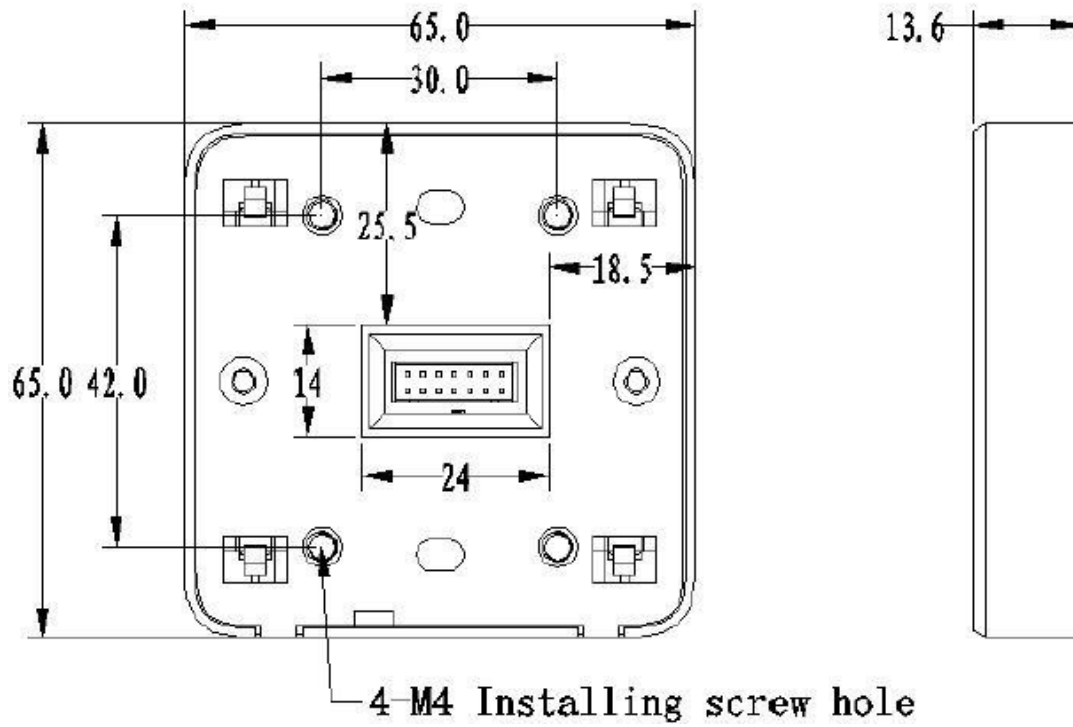


Figure 2. Keypad/card reader

Installation:

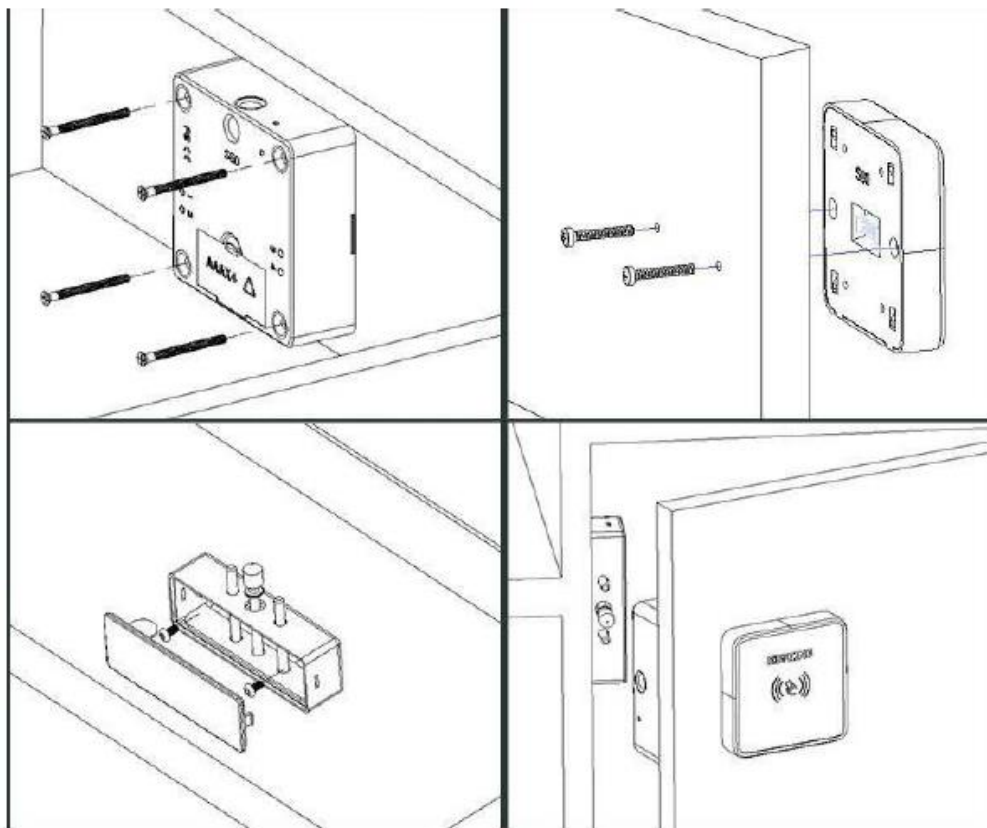


Figure 3. Installation of the lock

valnes[®]



Valnes AS

Pärnu road 139E/4, 11317 Tallinn

www.valnes.ee

<https://weblock.valnes.ee>

sales@valnes.ee

Reg. Id: 10193069

EU VAT ID: EE100178463