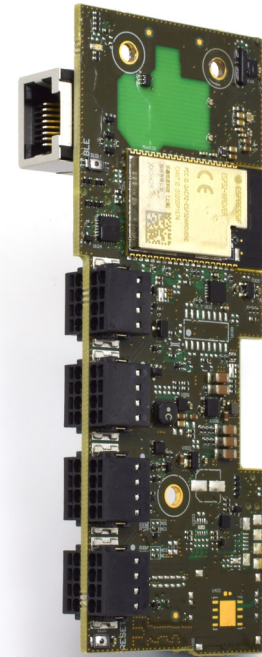




Digital Lock Access (DLA) Controller v4

WebLock's DLA v4 is part of WebLock's online access control system. It can connect to the WebLock cloud via wired LAN, WiFi, or mobile NB-IoT networks. Each DLA can support up to two entryways, which can be equipped with solenoid or motor-driven locks, keypads or card readers communicating over Wiegand or RS-232 interfaces, and door status sensors. Additional I/O pins are available to enable integration with other equipment such as lighting.

As each DLA v4 controller has its own connection to the WebLock cloud, no central unit is needed. Depending on the number of controllers in one location, you can choose single controller boxes, multi-controller enclosures or rack-mounted configurations for your installation.

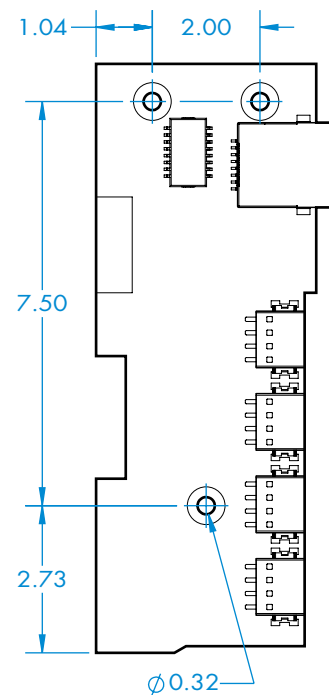


Features

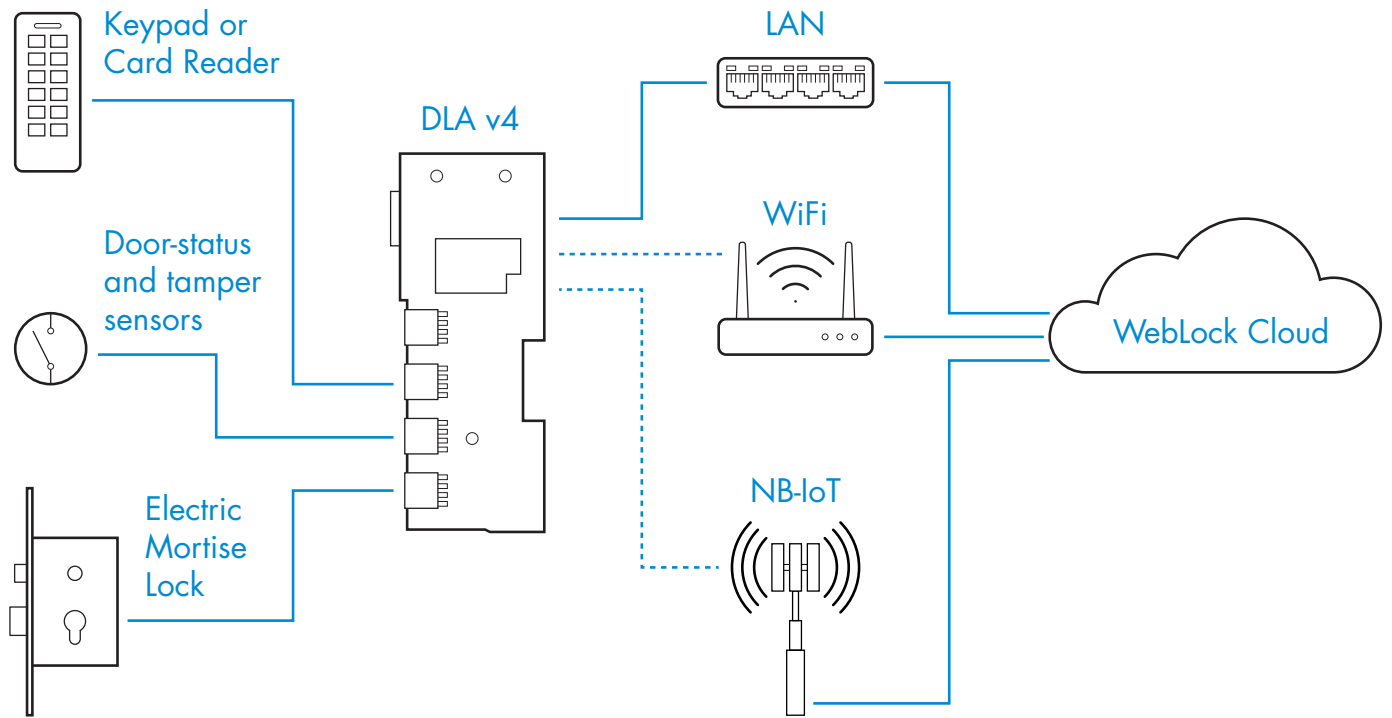
- Up to 2 Wiegand or RS-232 readers
- Up to 2 lock drivers (maximum 3A @ 12VDC each)
- Up to 2 inputs for door status sensors (such as Hall-effect sensors)
- Up to 2 inputs for tamper sensors
- Ethernet, WiFi, and NB-IoT support available
- Supports 25,000–50,000 cards, codes, or access rules per controller
- Able to log 100,000 events locally
- Push-in connections for easy wiring (20-26 AWG solid-core wire supported, suitable for CAT5 or CAT6)
- AES256 encryption

Specifications

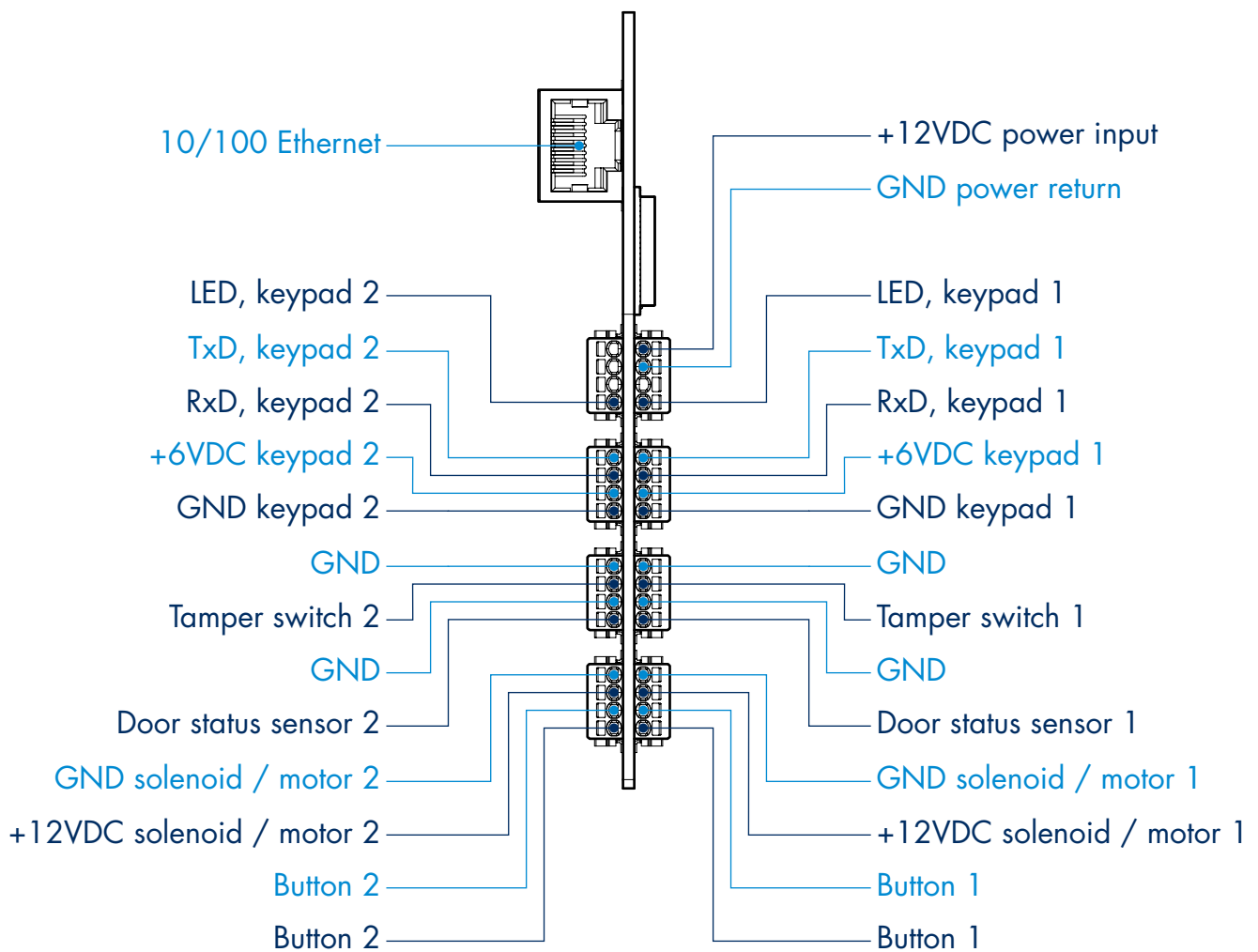
- Power: 0.1A @ 12VDC
- Dimensions: 10.9 x 4.4 x 1.9 cm (4.25 x 1.73 x 0.75 in)
- Weight: 31.2 g (1.1 oz)
- Temperature range: 0°C to 50°C
- Humidity range: 5% to 85% RH, non-condensing



| Part Number | Name | Entryways | WiFi | Ethernet | NB-IoT | Motor-driven locks |
|-------------|---------------------|-----------|------|----------|--------|--------------------|
| EL.DLA42003 | DLA v4 Pro NB-IoT | 2 | ✓ | | ✓ | |
| EL.DLA42001 | DLA v4 Pro Ethernet | 2 | ✓ | ✓ | | |
| EL.DLA41005 | DLA v4 Consumer | 1 | ✓ | | | ✓ |



System architecture with DLA v4 controller



DLA v4 controller wiring diagram (some features dependent on variant)